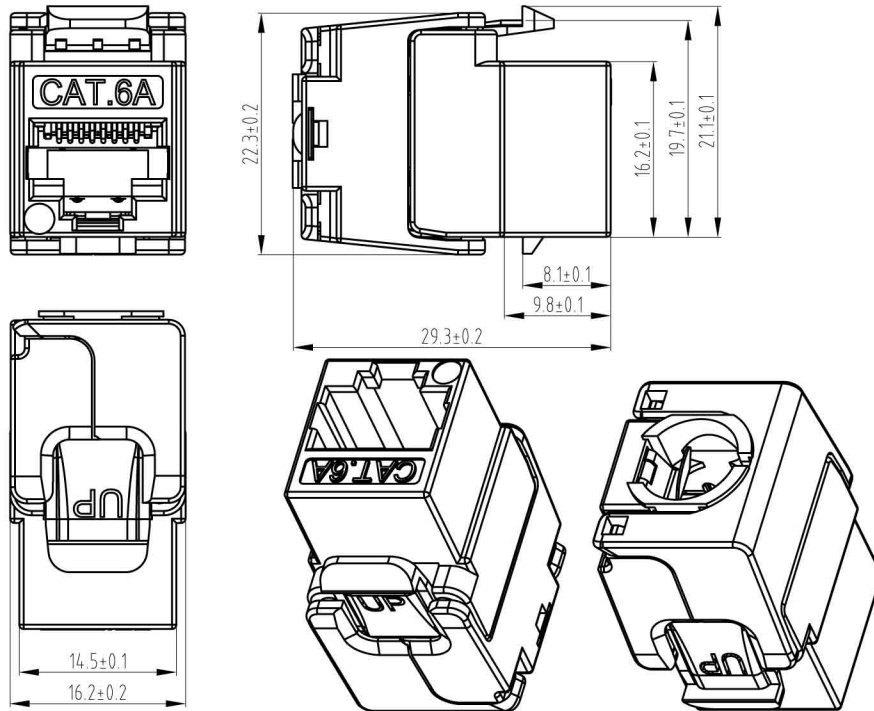
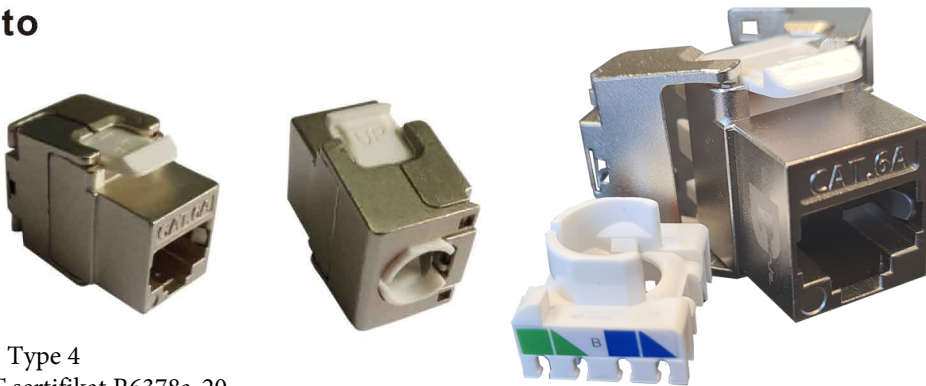


Mini Size 180 Degree keystone shielded , jack, Cat 6A Toolless

Presentation



Photo



PoE++ Type 4

GHMT sertifikat R6378a-20

Gir 25 års systemgaranti om produktet brukes i kombinasjon med følgende kabeltyper: 77780500 | 77790500 | 77782500

Systemgaranti for PoE krever dokumentert PoE Link sertifisering

Sertifisert av 3 part.

Electrical

| | |
|------------------------|---------------------|
| Current Rating: | 1.5 Amps |
| Insulation Resistance: | ≥ 500 MΩ |
| Contact Resistance: | ≤ 10 mΩ |
| DC Resistance: | ≤ 0.1 Ω |
| DC/AC Volt Endurance: | DC1000V/AC750V 1min |

Mechanical

Plug Insertion Life ≥ 750 Cycles WITH FCC COMPLIANT RJ-45 PLUG
Plug & Jack Contact Force ≥ 100 Grams WITH FCC COMPLIANT RJ-45 PLUG
Plug Retention Force: ≥ 11 lbf
DURABILITY : 200 TERMINATION CYCLES
OPERATING TEMPERATURE : -10~60°C
OPERATING HUMIDITY : 10%~90%RH
STORAGE TEMPERATURE : -40°C TO 68°C

Physicals

Housing: Zinc Die-Casting with high quality Nickel plating
Plastic Parts: High impact flame retardant plastic,
UL 94V-0 rated
PCB: FR-4, 1.2mm Thickness
Jack Wire: 0.35 mm Phosphor bronze gold over nickel plating
IDC CONDUCTOR: 0.5mm Phosphor bronze, tin-plating
CONTACT COMPATIBILITY :
ACCOMMODATES 26 TO 23AWG SOLID

Standards Verification

ANSI/TIA-568-C.2 ;
ISO/IEC 11801 :2002/Amd.2:2010 ;
YD/T 926.3-2009 ;
ISO/IEC 60603-7 COMPLIANT ;
RoHS directive 2002/95/EC compliant