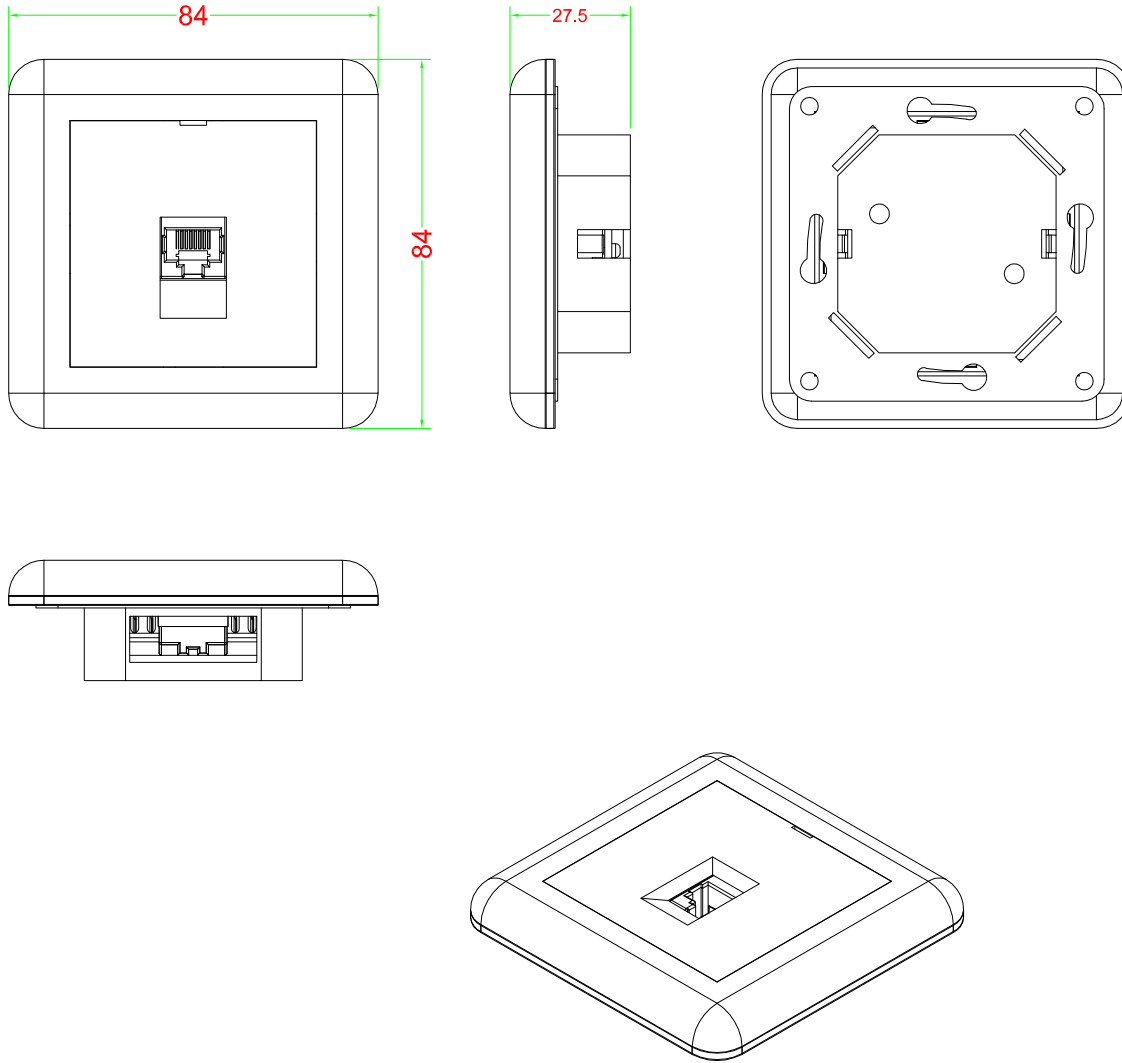


Flush Mount Wall Plate



Performance:

Meets C6A EIA/TIA 568C Standard.

Materials:

Body : Fireproof ABS UL-94V0
 Jack : 8P8C 50 micro inches gold plated
 PCB : FR-4 / UL-94V0
 IDC Body : Fireproof ABS UL-94V0
 IDC Pin : Bronze & Tinned

IDC Description : For 22-26 AWG.
 For 110 or Krone punch-down Tool

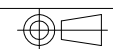
Electrical Specifications:

Insulation Resistance : 500M ohms (min.)
 Contact Resistance : 20m ohms (max.)
 Current Rating : 1.5 Amps .
 DC Resistance : 0.1 ohms (max.)
 Withstanding Voltage : 1000 VAC RMS @ 60Hz / 1 min.

Mechanical Specifications:

IDC Punch Down Cycle : Over 250 Cycles (min.)
 Jack Insertion Cycle : Over 2000 Cycles (min.)

Operation Temperature : -40 °C ~ +70 °C

| | | | | | |
|--|--|-----------|--|--|--|
| DRAW NO: | | ITEM NO: | | 30701001 | |
|  APPR | | CUSTOMER: | | | |
| UNIT: m/m | | DESIGN | | dGroup as | |
| SCALE: | | Ref. NO: | | TOLERANCE: X ± 1 · X ± 0.2 · XX ± 0.15 | |

