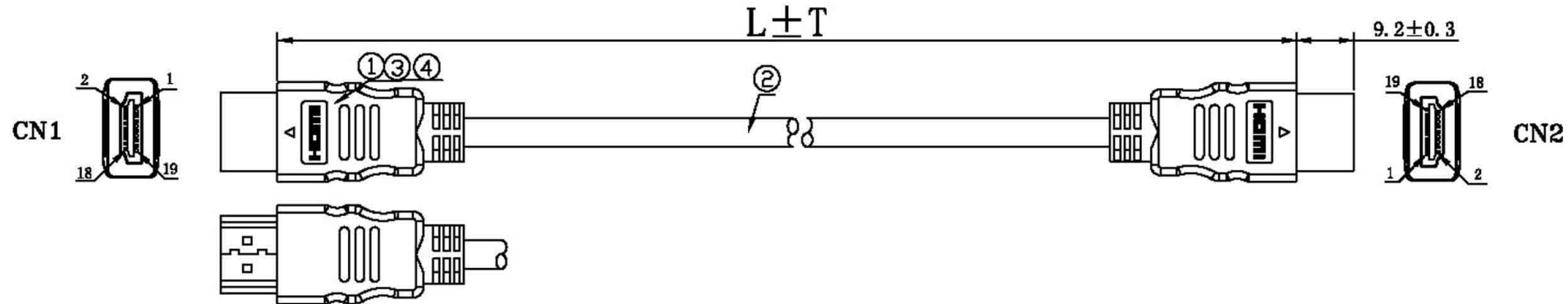
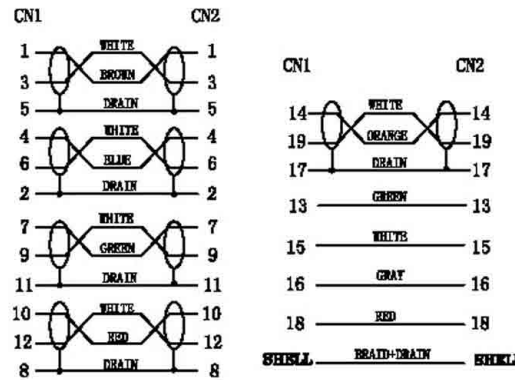


REV	DATE	REVISION	APPRO. BY
		DESCRIPTION	



PIN OUT



PIN	Signal Assignment
1	TMDS DATA2+
2	TMDS DATA2 SHIELD
3	TMDS DATA2-
4	TMDS DATA1+
5	TMDS DATA1 SHIELD
6	TMDS DATA1-
7	TMDS DATA0+
8	TMDS DATA0 SHIELD
9	TMDS DATA0-
10	TMDS CLOCK+
11	TMDS CLOCK SHIELD
12	TMDS CLOCK-
13	CEC (Consumer Electronics Control)
14	Utility / HEAC+ (High Speed Ethernet with Audio Return)
15	SCL (Serial Clock Line)
16	SDA (Serial Data Line)
17	DDC/CEC Ground / HEAC Shield
18	+5V POWER
19	Hot Plug Detect / HEAC-

NOTE:

- Electrical test:
 - 100% open short & miss wire test;
 - Insulation resistance: DC 300V 10Mohm;
 - Contact resistance: 1mohm;
 - Dielectric strength: 150V AC/Sec, 1mA
- RoHS COMPLIANT
- PRINTING: High Speed HDMI® Cable with Ethernet
AWM STYLE 20276 80°C 30V VW-1

ITEM NO.	LENGTH
K5431.2	2000±20mm
K5431.3	3000±30mm

④	OUTER MOLD	PVC BLACK	2
③	INNER MOLD	LD-PE	2
②	CABLE	30AWG (7/0.10BC*1P+E+WAM)*5+7/0.10BC*4C+AEB E-7/0.10BC B=AL-MG Jacket:PVC/Black OD:6.0±0.2mm	1
①	Connector	HDMI 19P/M, Solder Type, Pin/Shell Gold Plated	2
NO.	MAT. NAME	DESCRIPTION	Q' TY

CUSTOMER'S ITEM	543110	CUSTOMER	dGroup	D'GROUP G	
ITEM Number		TITLE			
UNIT	mm	SCALE	1:1		
DRAWN BY	chenchong	CHECK BY	EP		
REV		APPRO BY		DATE	21.01.2011