



**OT-SLAR-1.5U**

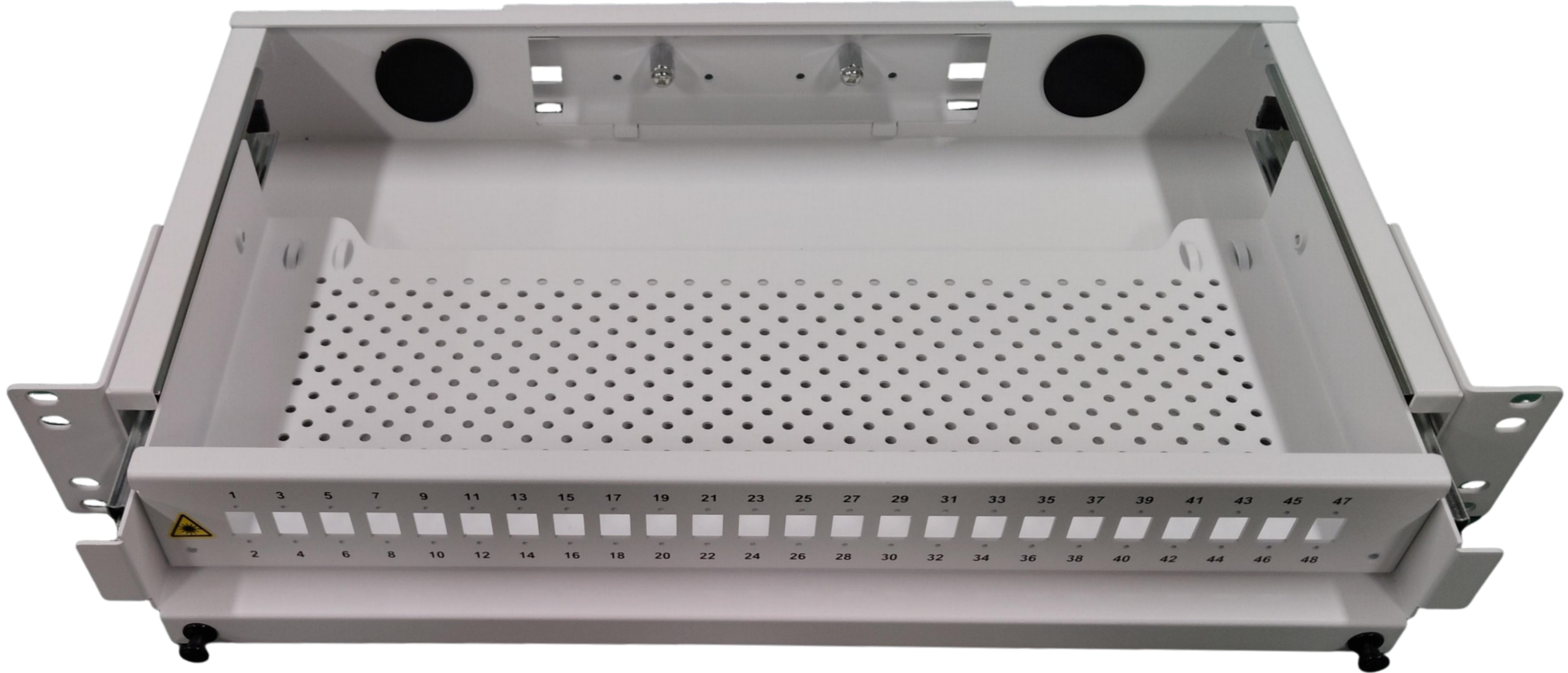
OT-SLAR is a 19 inch rack mount type fiber optic patch panel. It is used in fiber optic cabinet for fiber connection, splicing, protection and management. It's made of Aluminum materials, so it's light weight and strong.

### Features

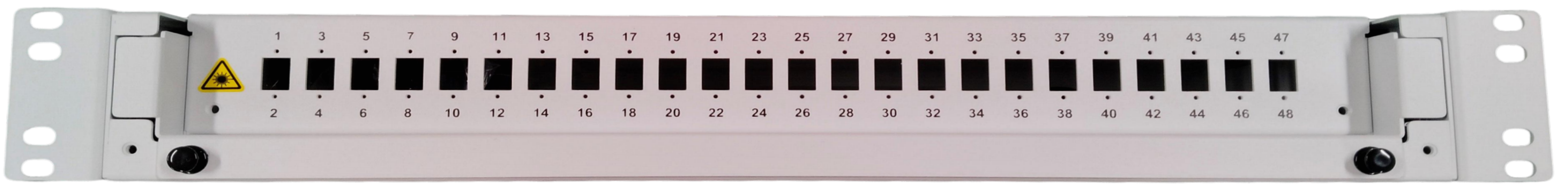
- \* Standard 19 inch rack mounted application
- \* Aluminum materials, light weight and strong mechanical performance
- \* With sliding rail, easy and smooth sliding out the panel
- \* 1.5U height, easy to plug adapters and connections
- \* Easy cable access and fiber management
- \* Wide range of accessories options to achieve different functions
- \* FC, LC, ST, SC ... or customized adapter ports available
- \* Capacity: 12, 24, 48, 72, 96, 144 fibers

### Specification

Model	Dimension	Capacity	Standard accessories
OT-SLAR-1.5U	488x246x1.5U	12~144 fibers;	Cable ring 10pcs; Cable tie 4pcs; Cross cable management device:2pcs Splice chip for 12 fibers: 2pcs Transparent protection tube: 1 piece Mounting screws: 1 set



**OT-SLAR-1.5U**

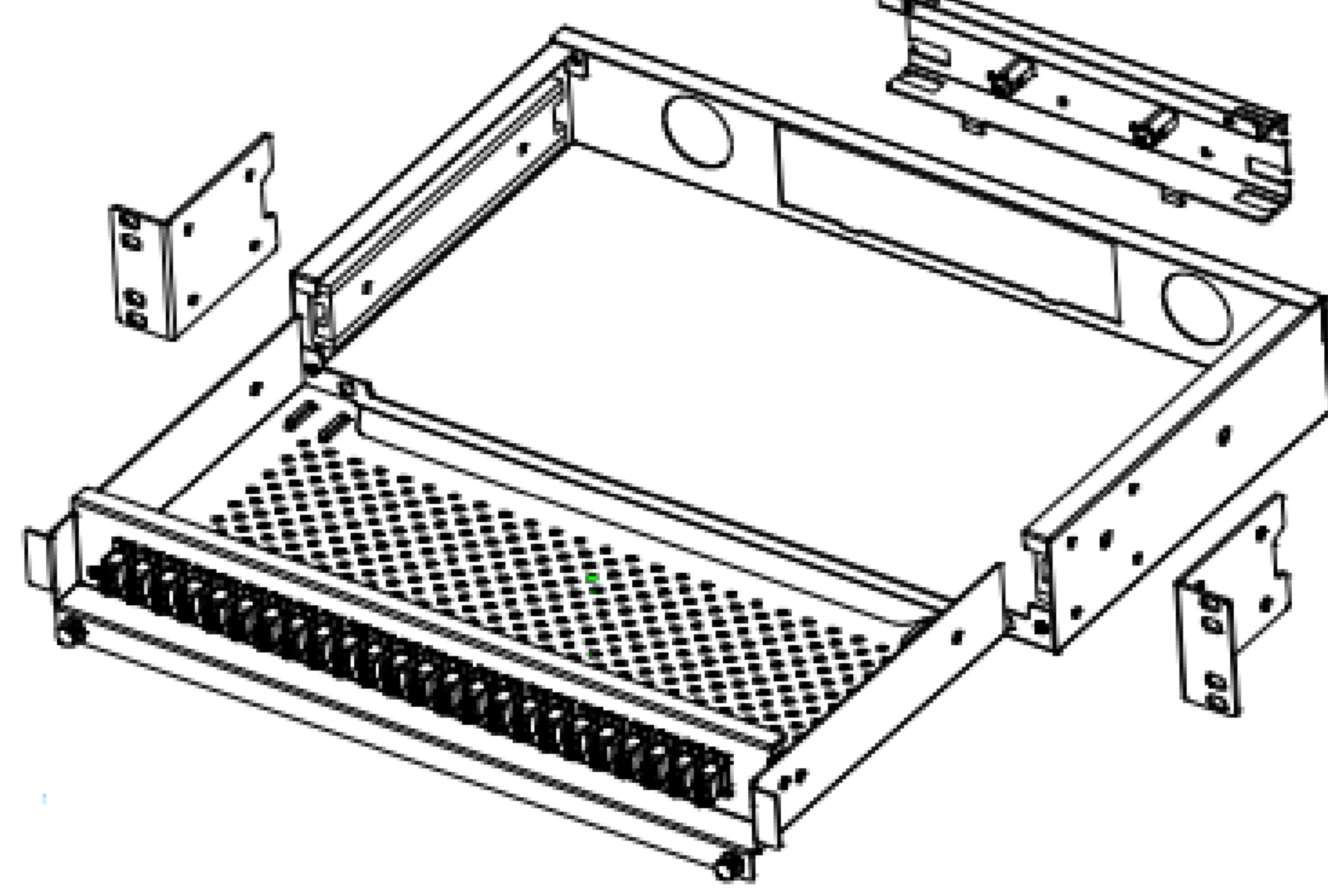
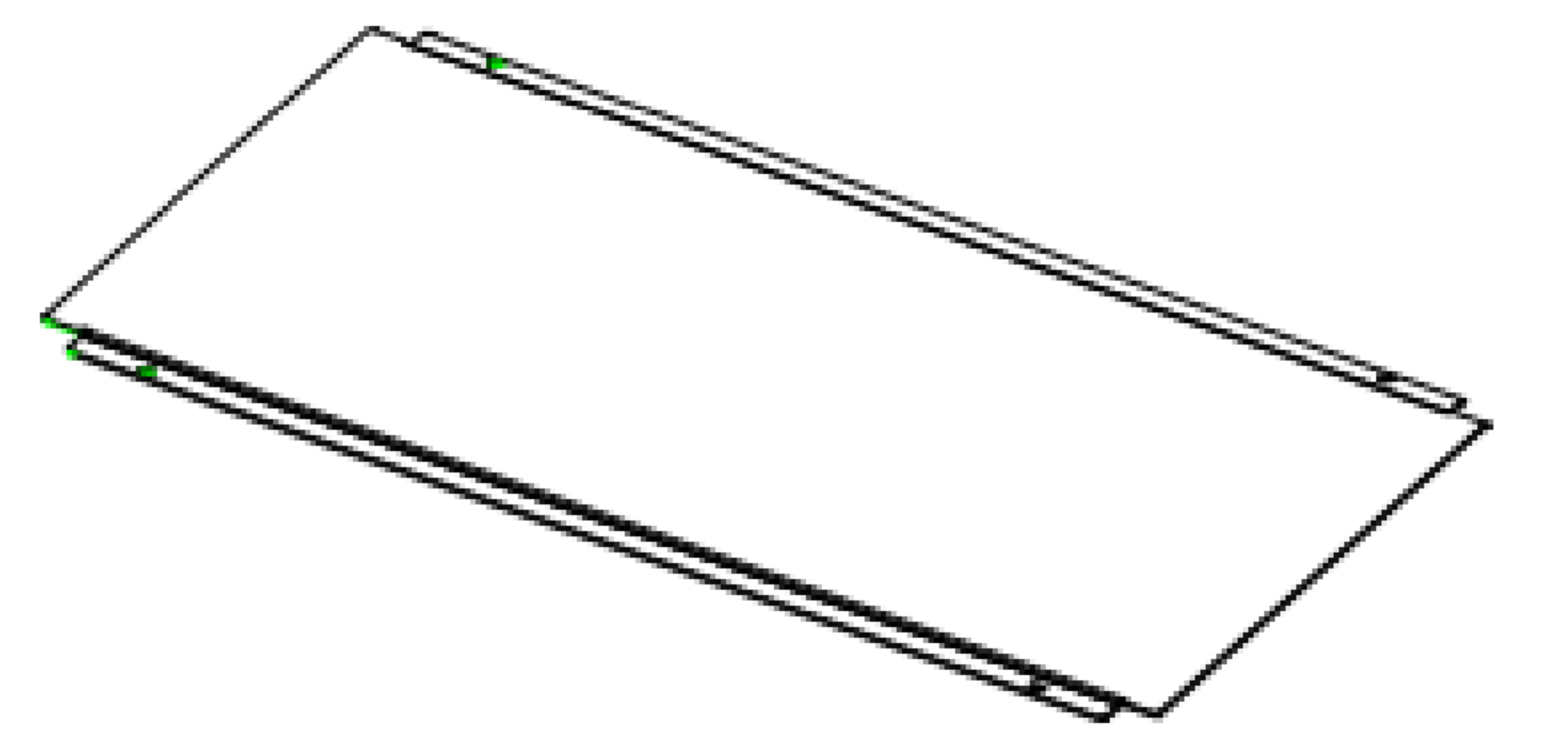
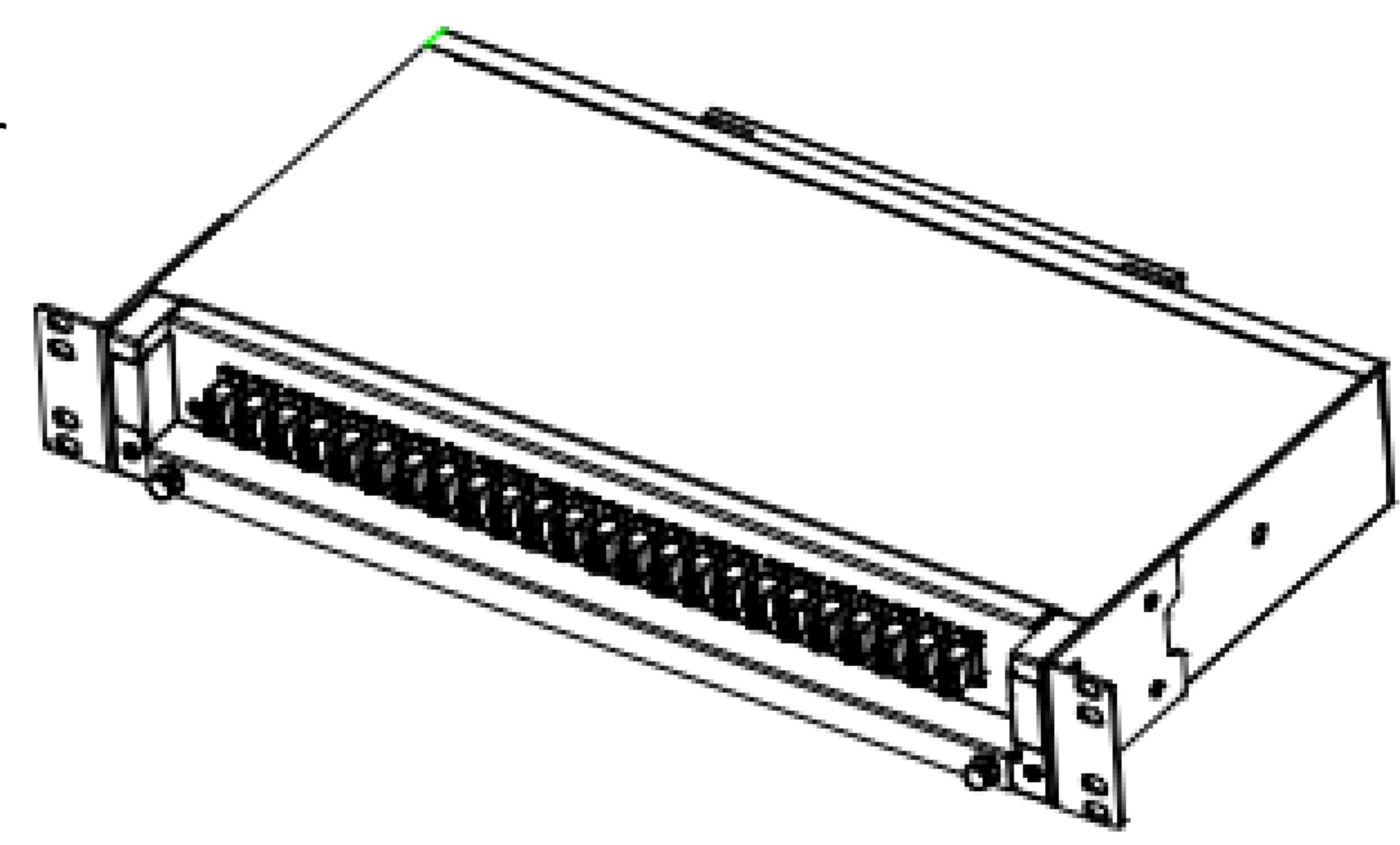


**24x LC Duplex Adapter**

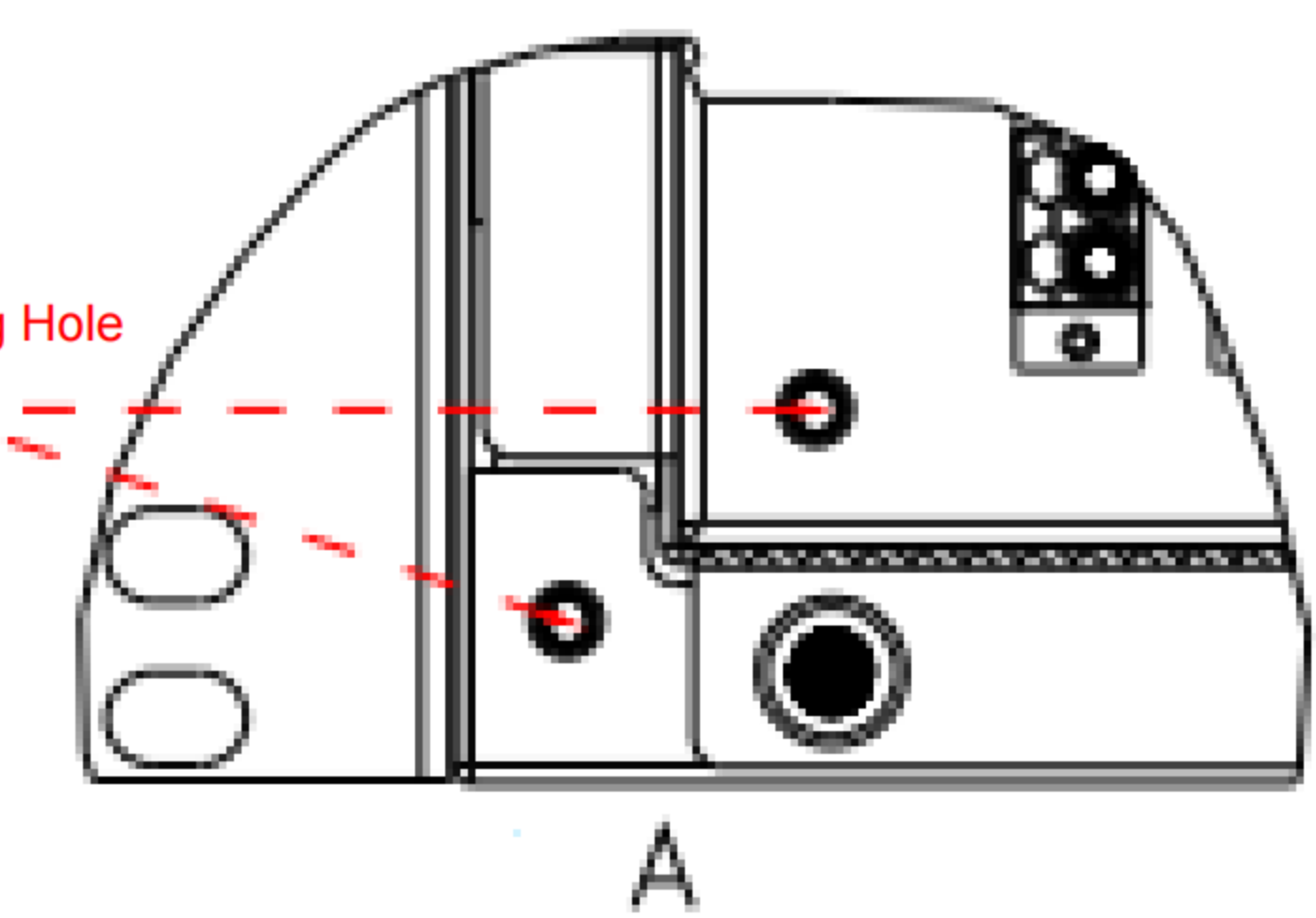


**24x SC Duplex Adapter**

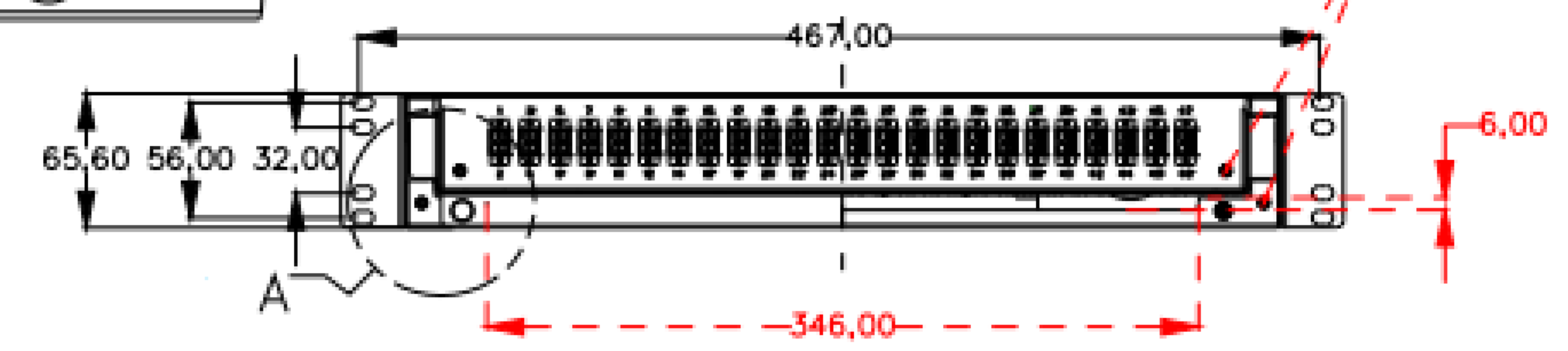
-24x LC Duplex Adapter  
 -12x SC Simplex Adapter



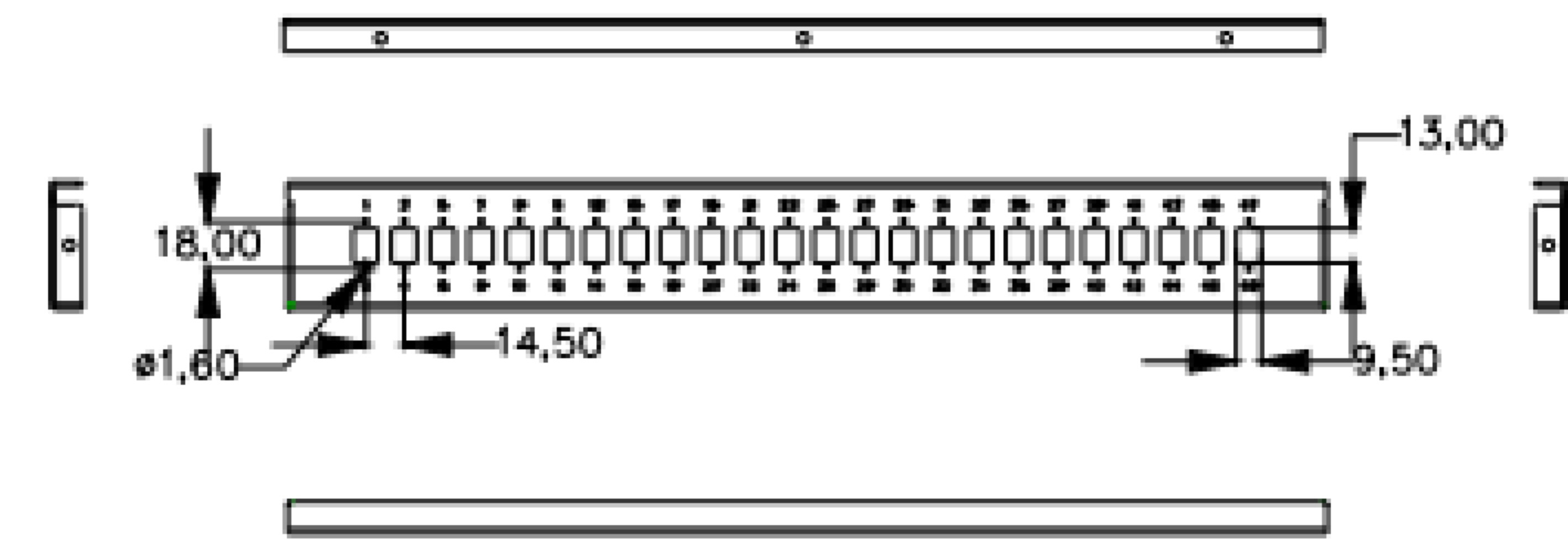
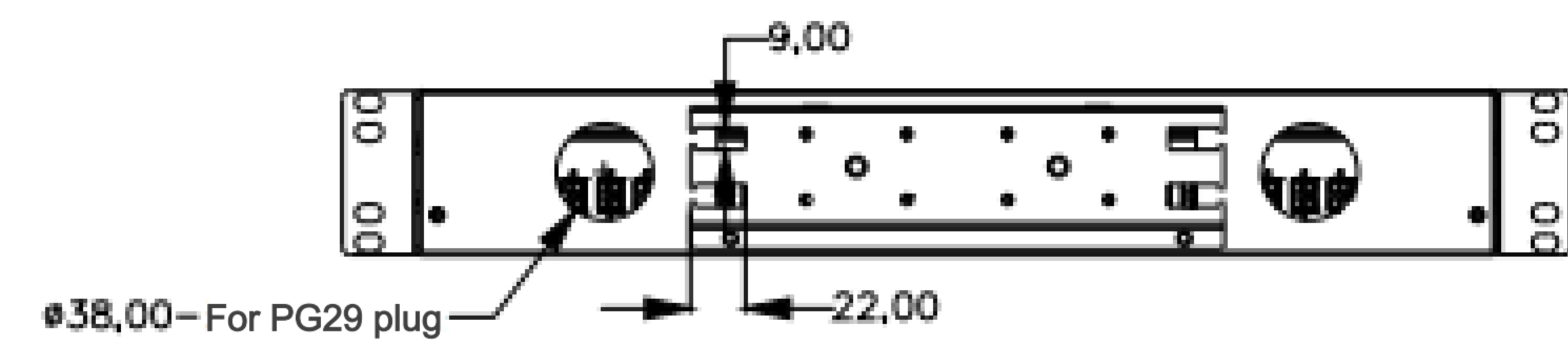
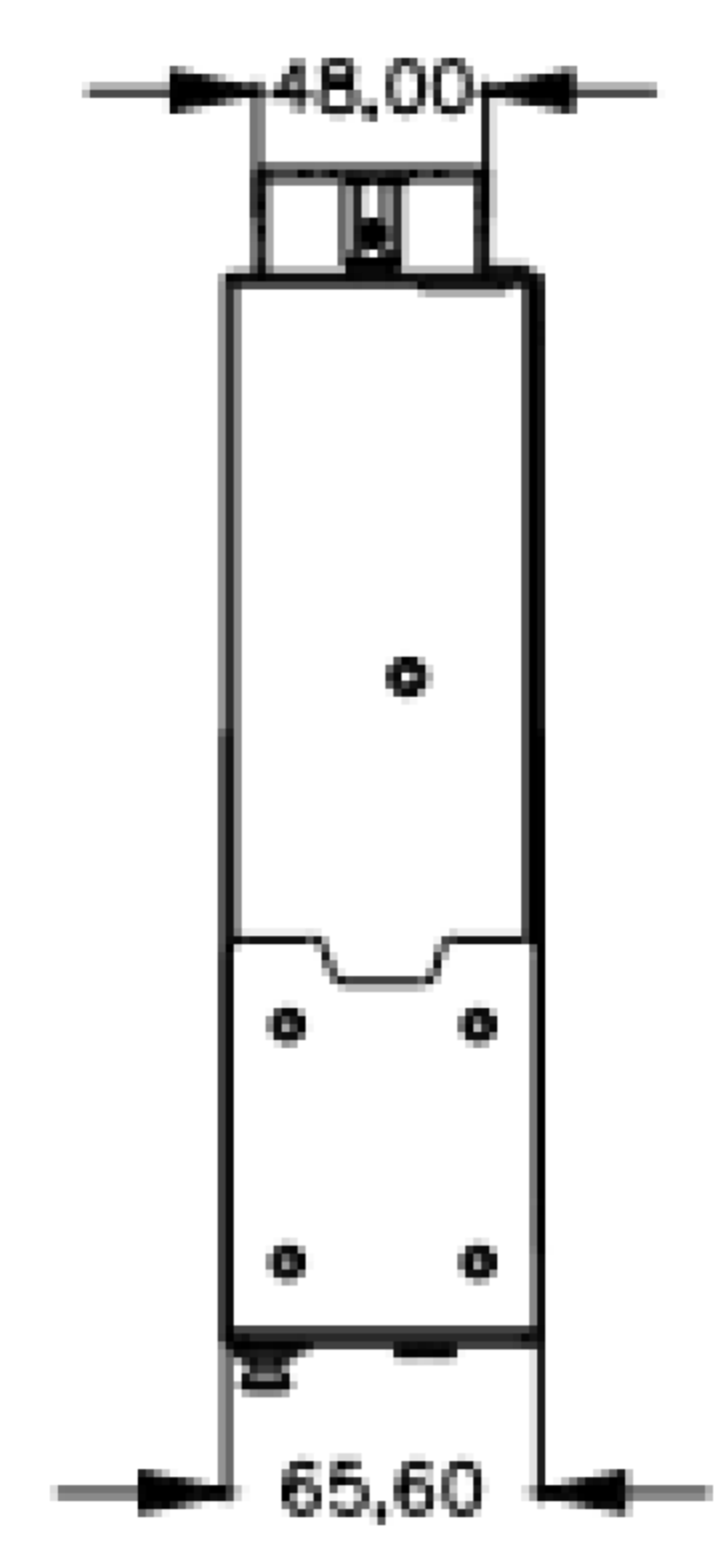
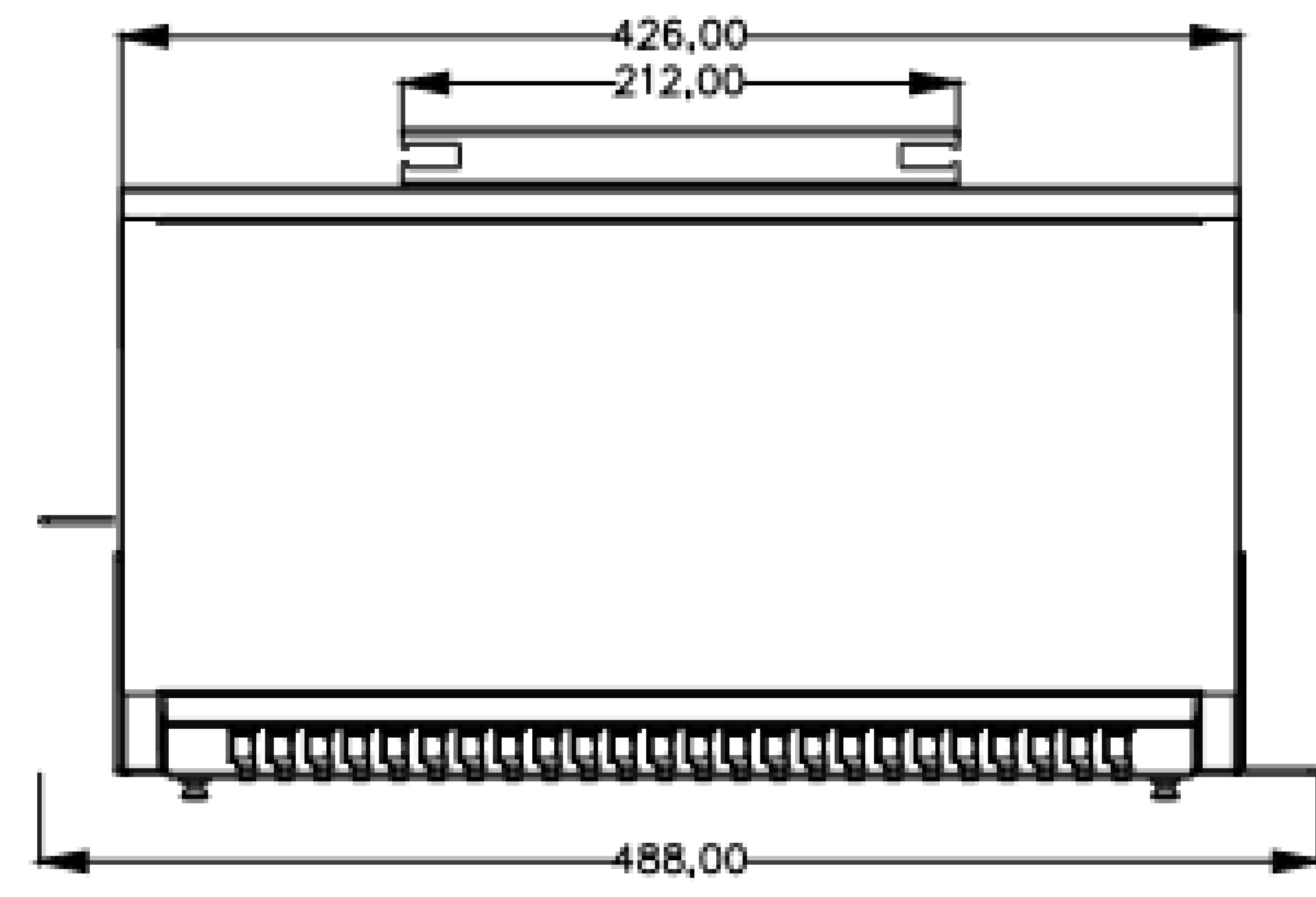
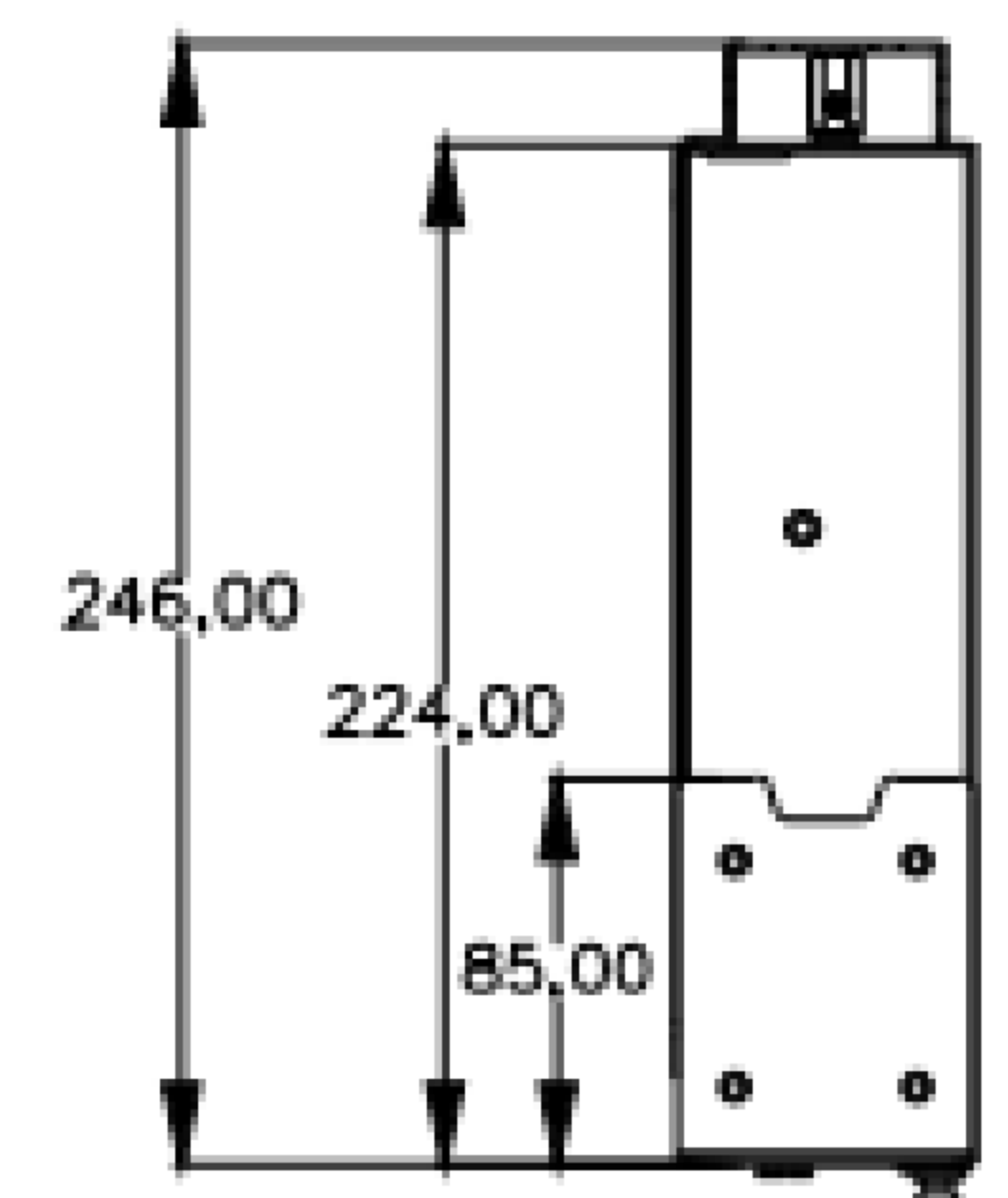
Earthing Wire Mounting Hole  
 (M4 threaded hole)



Section A - A

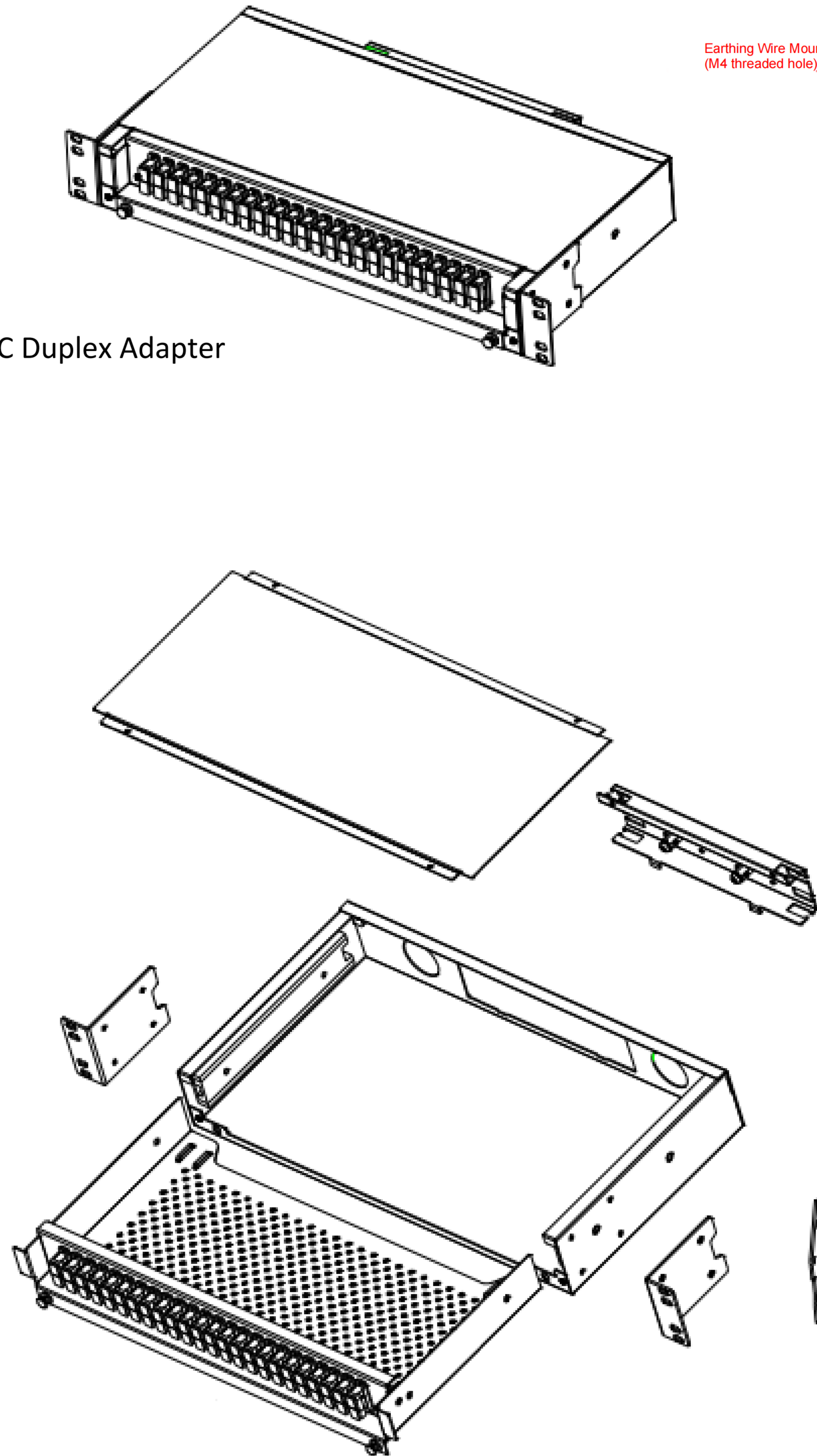


Earthing Wire Mounting Hole  
 (M4 threaded hole)

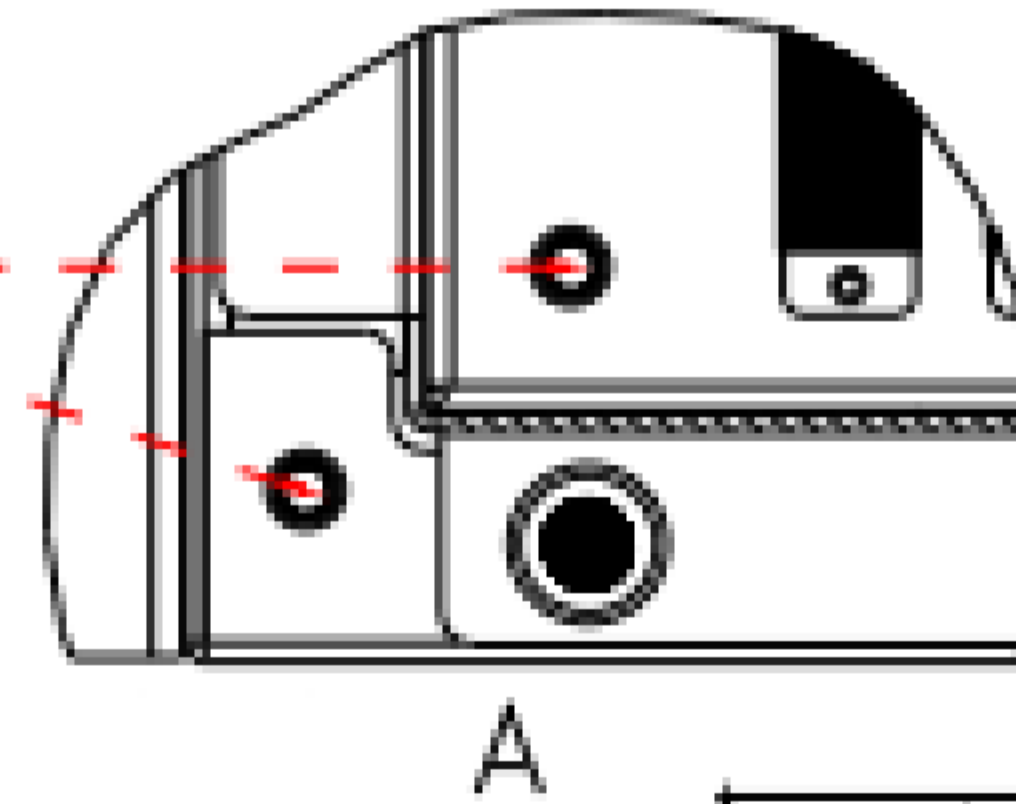


Unpainted areas serve as protected zones for conductivity

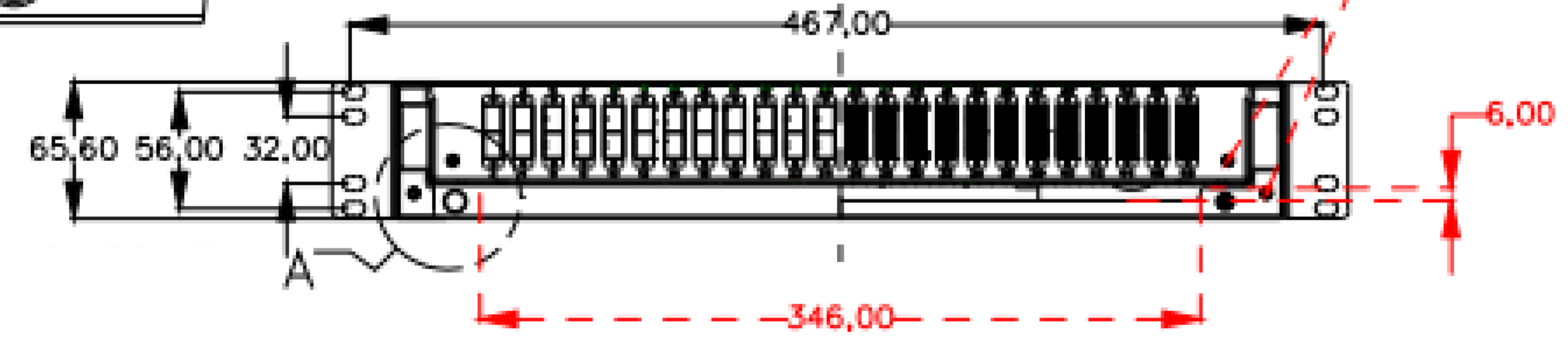
-24x SC Duplex Adapter



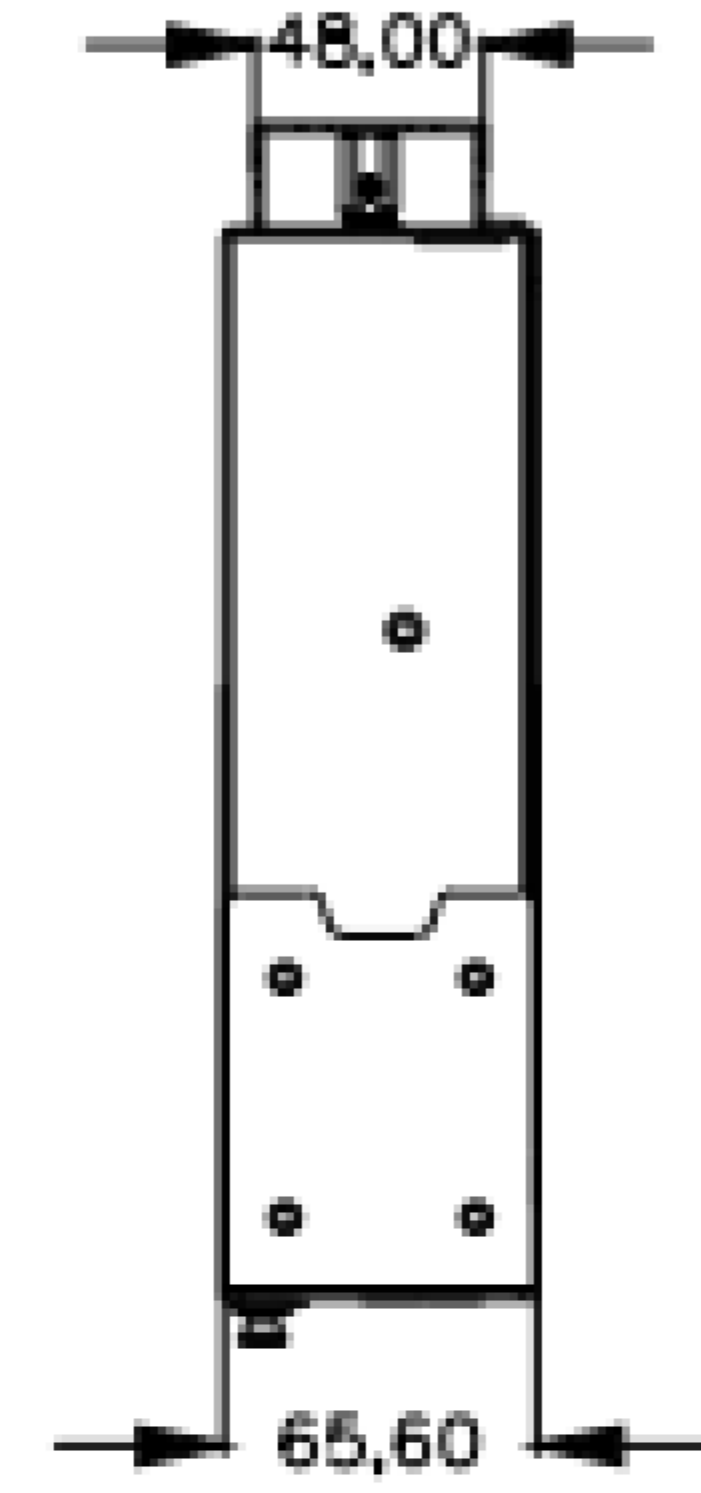
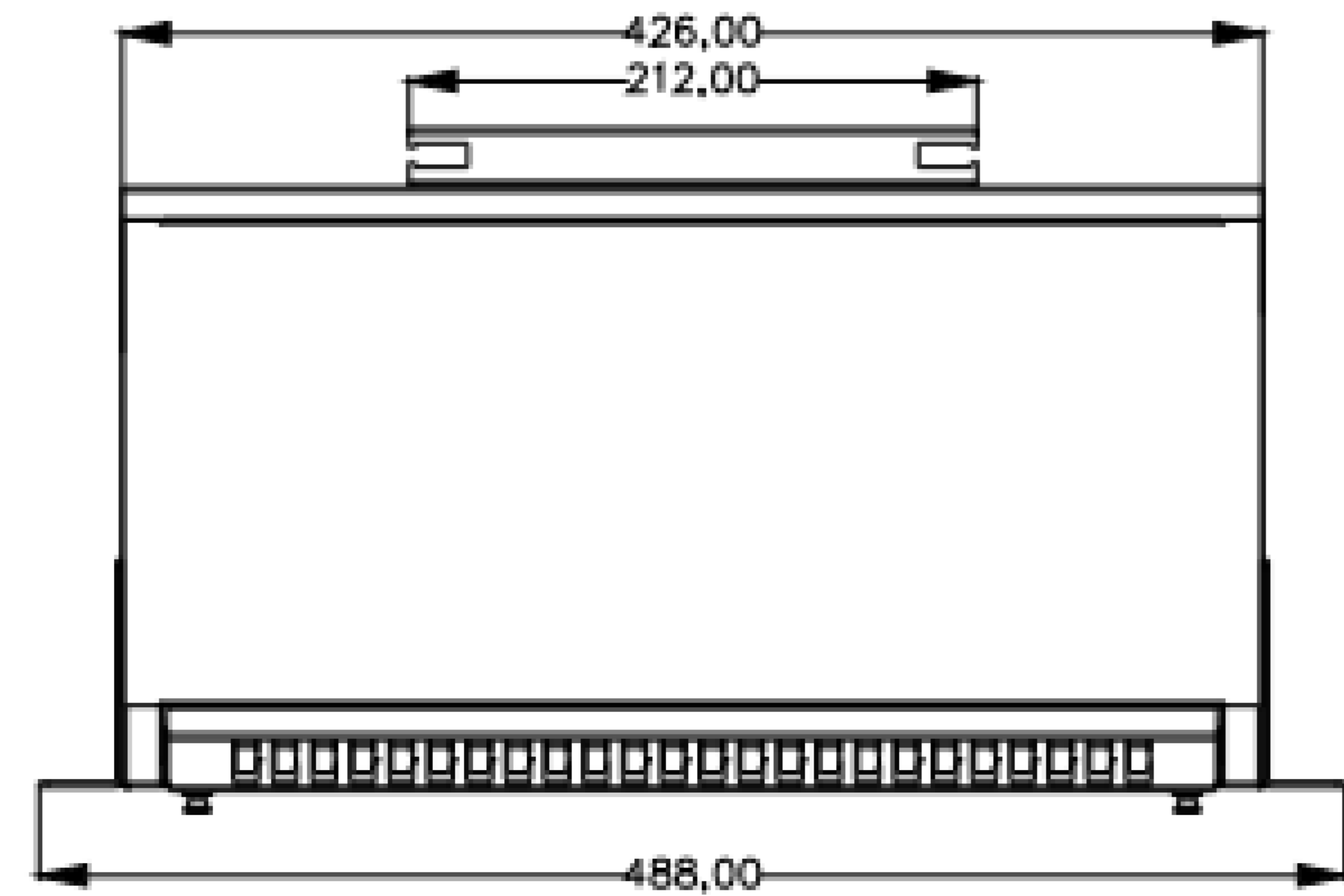
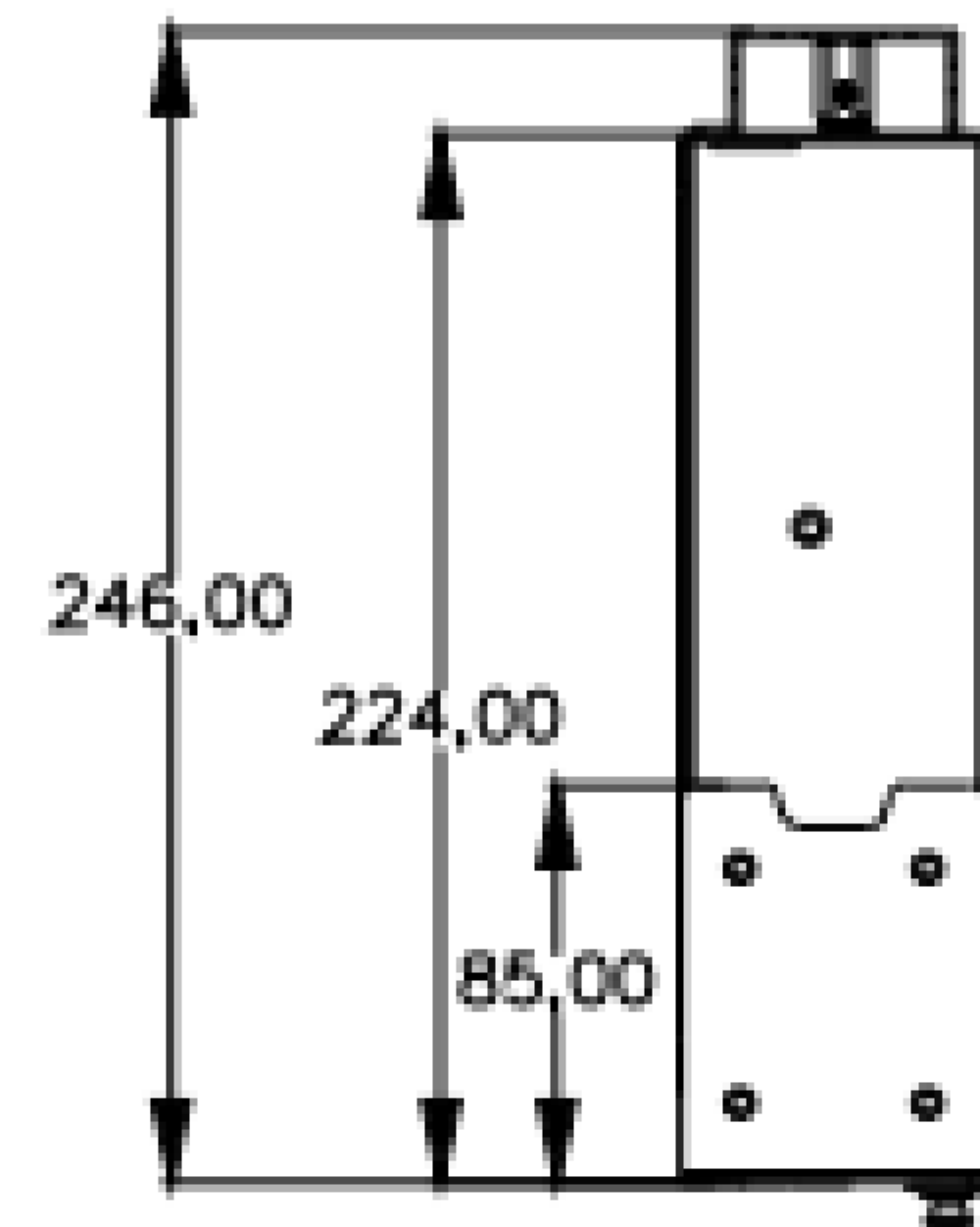
Earthing Wire Mounting Hole (M4 threaded hole)



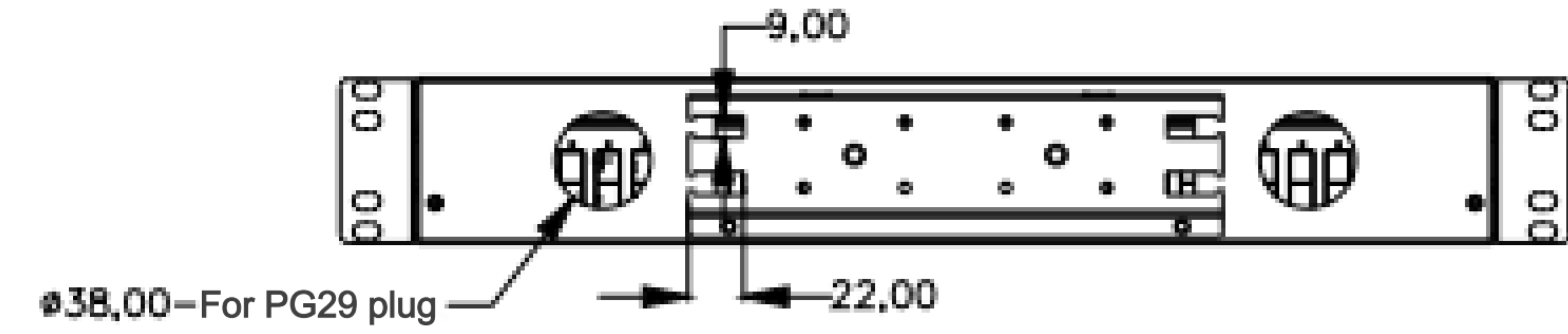
Section A - A



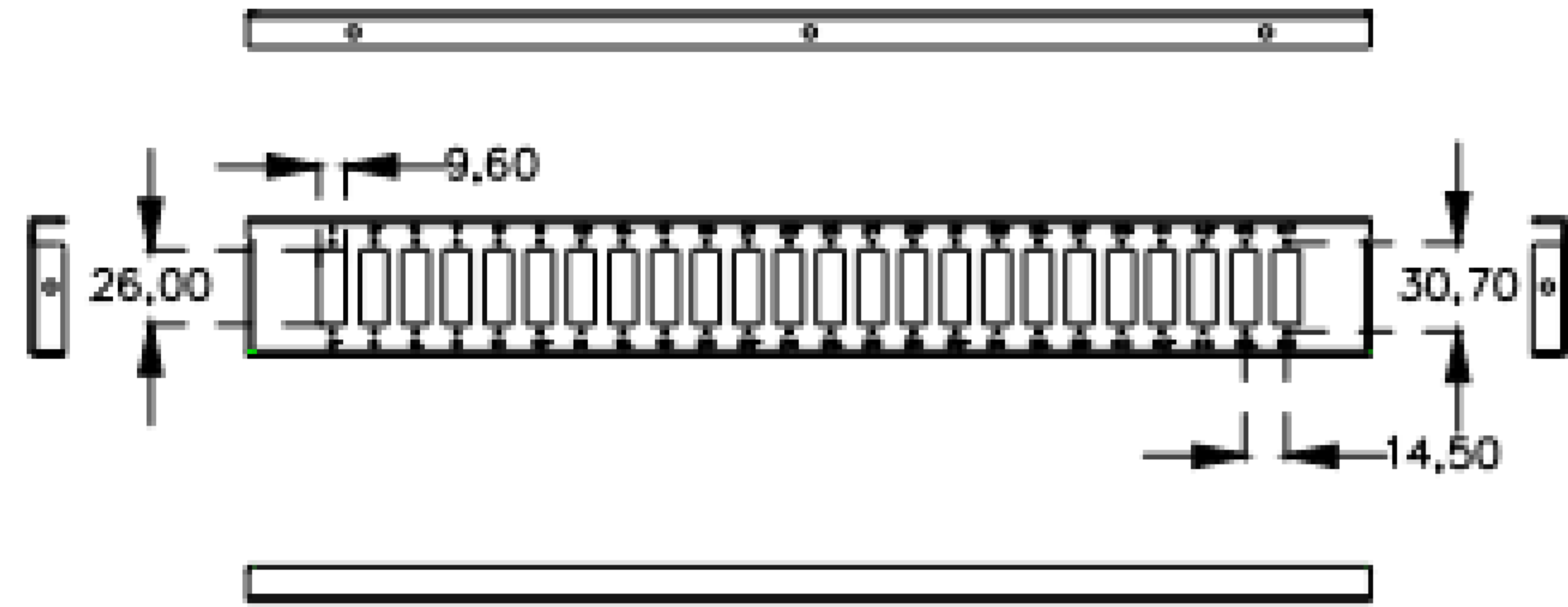
Earthing Wire Mounting Hole (M4 threaded hole)



WWW.MAXETA.NO



ø38,00 - For PG29 plug



Unpainted areas serve as protected zones for conductivity