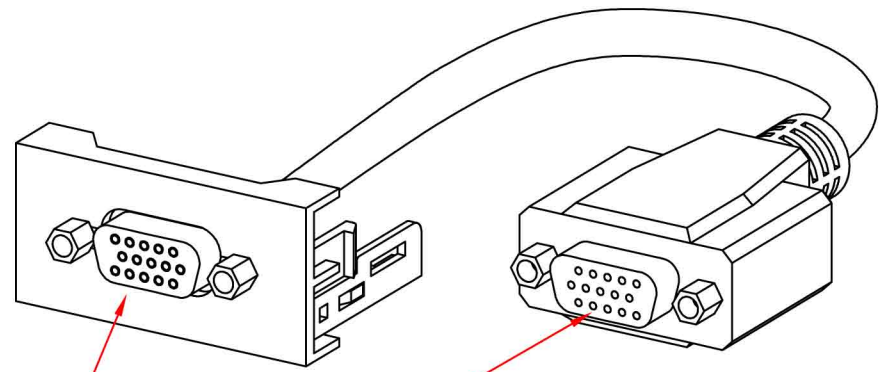
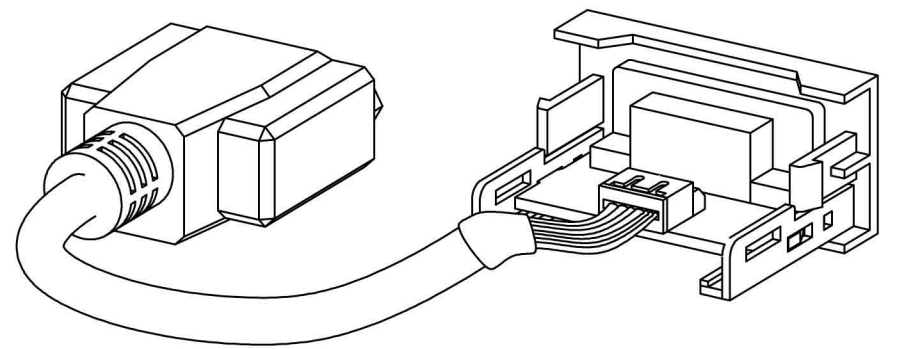
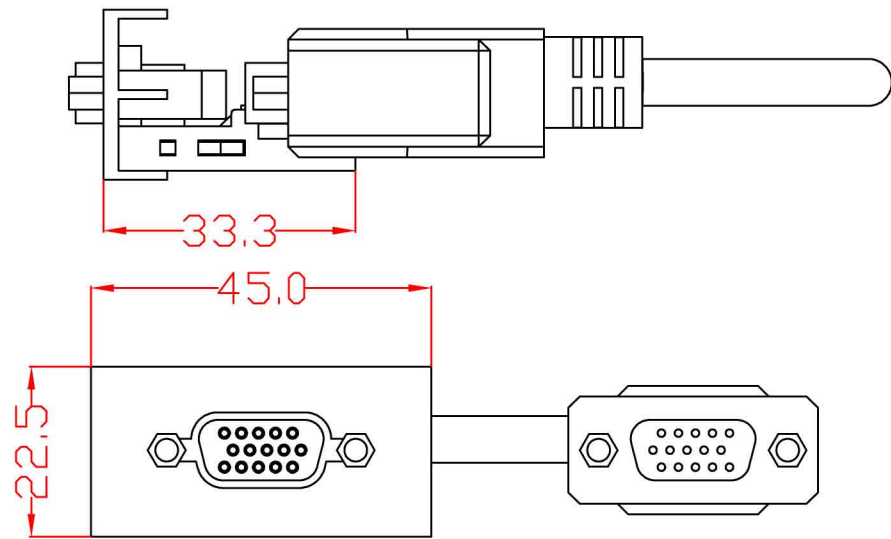


RevNo	Revision note	Rev-By	RevDate	Signature	Checked

# MULTI-MEDIA SVGA MODULES

**PART NO: 62324200350**

**ITEM NO: FA-2420-VGA-F/M-PH-20CM RAL9010**



**D-Sub Female**

**D-Sub Male**

**Pin Out : VGA D-SUB**

- |                   |                |
|-------------------|----------------|
| 1 — 1 Red Video   | 9 — 9 NC       |
| 6 — 6 Ground      | 10 — 10 Ground |
| 2 — 2 Green Video | 11 — 11 NC     |
| 7 — 7 Ground      | 12 — 12 ID1    |
| 3 — 3 Blue Video  | 13 — 13 HSYNC  |
| 8 — 8 Ground      | 14 — 14 VSYNC  |
| 4 — 4 NC          | 15 — 15 ID2    |
| 5 — 5 NC          | GND — Ground   |

**FEATURES:**

- VGA Type Cable Modules
- Housing Material : ABS
- Size: 45 x 22.5 x 33.3 mm
- Color : RAL9010

ITEM NO.	<b>FA-2420-VGA-F/M-PH-20CM RAL9010</b>			
PART NO.	<b>62324200350</b>			
DESIGNED BY	DATE	14.04.10	UNIT	MM
Young	SCALE	1:1	VER.	1
NO.	Checked by			
APPR:	Approved by -date			

