


inorax-ST Network Cabinet

Inorax-ST, a cost effective network rack cabinet system fulfills high density cabling and data center requirements. With its modular structure, a practical option for your future plans. Offers advanced fiber and copper cable management options; helps simplify cable installation and maintenance while providing maximum cable capacity for your high-density cabling requirements. A wide range of cable management accessories is available to ensure perfect management of copper, fiber cables and 19" equipment. Flat-pack option enables savings up to 60% in the transport cost and warehouse space.



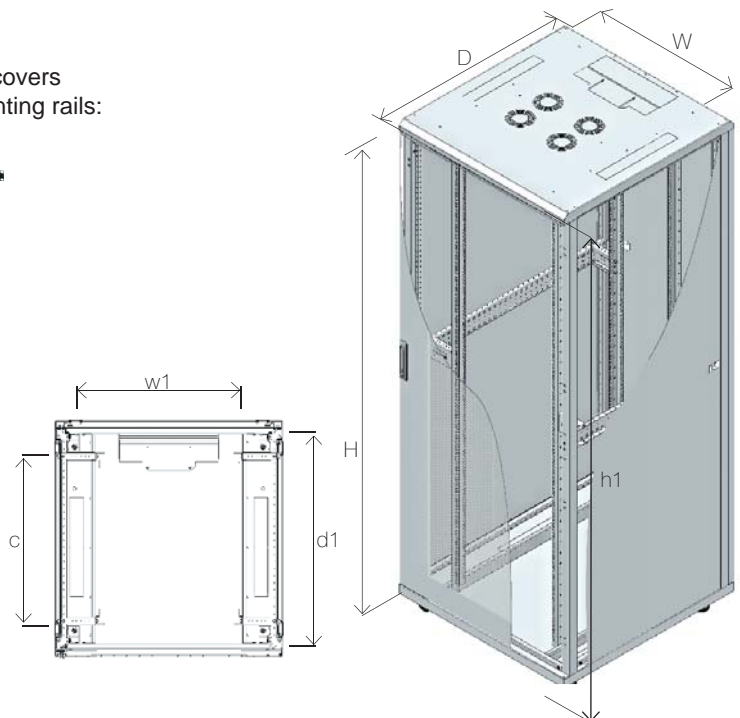
Technical Features

Material	1,2 - 1,5 - 2mm Steel
Color	RAL 7035 or RAL 9005
Compliance	RoHS, UL Certified
Packaging	Assembled or unassembled
Maximum Static Load	Up to 1500 kg.
Finish	Doors, side panels, top and bottom covers Electrostatic Powder Paint, 19" mounting rails: Zinc-plated

Related Accessories	Cable Organizer Blanking Panels Cable Channels	
----------------------------	--	---

Standard Configuration:

- ✓ Front door with safety glass
- ✓ Solid Side Panels with cylindrical locks and latches
- ✓ Solid Rear Panel with cylindrical locks
- ✓ Internal top sheet with 3 cable entry and fan cut-outs
- ✓ 2 Pairs of depth adjustable heavy duty 19" Mounting Rails
- ✓ 2 Pairs of Adjustable Feet
- ✓ Front Door with swing-handle single point lock
- ✓ Color RAL 7035 or RAL 9005
- ✓ RoHS compliant, UL and Gost-R Certified
- ✓ Bottom cover



Order Information

Height U	Outer Width (W) mm	Outer Depth (D) mm	Outer Height (H) mm	Inner Width (w1) mm	Inner Depth (d1) mm	Inner Height (h1) mm	19" Rails Adjustable Depth Range (c)	Weight kg	Part No
16U	600	600	878	503	550	718	123 - 373	52,82	CSN-X-1666A
22U	600	600	1144	503	550	984	123 - 373	62,21	CSN-X-2266A
22U	600	800	1144	503	750	984	123 - 573	70,66	CSN-X-2268A
26U	600	600	1322	503	550	1162	123 - 373	68,49	CSN-X-2666A
26U	600	800	1322	503	750	1162	123 - 573	77,60	CSN-X-2668A
26U	800	800	1322	703	750	1162	123 - 573	91,62	CSN-X-2688A
32U	600	600	1588	503	550	1428	123 - 373	77,88	CSN-X-3266A
32U	600	800	1588	503	750	1428	123 - 573	88,01	CSN-X-3268A
32U	800	800	1588	703	750	1428	123 - 573	103,14	CSN-X-3288A
36U	600	600	1766	503	550	1723	123 - 373	84,17	CSN-X-3666A
36U	600	800	1766	503	750	1723	123 - 573	94,95	CSN-X-3668A
36U	800	800	1766	703	750	1723	123 - 573	109,81	CSN-X-3688A
39U	800	800	1900	703	750	1740	123 - 573	115,56	CSN-X-3988A
42U	600	600	2033	503	550	1873	123 - 373	93,62	CSN-X-4266A
42U	600	800	2033	503	750	1873	123 - 573	105,41	CSN-X-4268A
42U	600	1000	2033	503	950	1873	123 - 773	113,85	CSN-X-4260A
42U	800	800	2033	703	750	1873	123 - 573	121,31	CSN-X-4288A
42U	800	1000	2033	703	950	1873	123 - 773	133,54	CSN-X-4280A
47U	600	600	2255	503	550	2095	123 - 373	101,47	CSN-X-4766A
47U	600	800	2255	503	750	2095	123 - 573	114,09	CSN-X-4768A
47U	600	1000	2255	503	950	2095	123 - 773	123,20	CSN-X-4760A
47U	800	800	2255	703	750	2095	123 - 573	130,91	CSN-X-4788A
47U	800	1000	2255	703	950	2095	123 - 773	144,10	CSN-X-4780A

X (Color code): 7:RAL 7035 Light Grey, 9:RAL 9005 Black



www.facebook.com/canovategroup



www.linkedin.com/company/canovate-group



canovatesales