

Slim Line Wallmount Cabinet

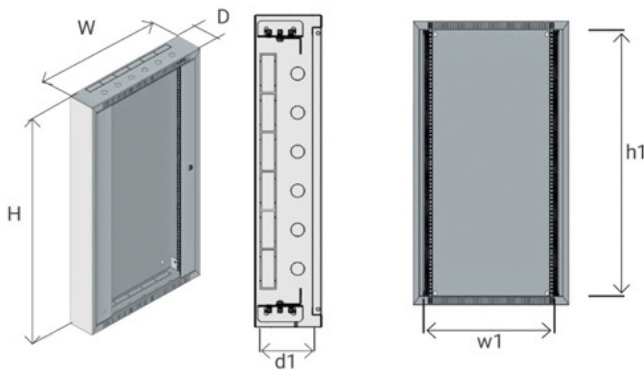


Technical Features

Material	1,2 mm steel
Color	RAL 7035 or RAL 9005
Maximum Static Load	Up to 75 kg.
Finish	Electrostatic Powder Paint

Standard Configuration:

- Steel frame
- Glass door with cylindrical lock
- Slim line solution for restricted areas
- 1 Pair of heavy duty 19" mounting rails
- RoHS compliant, UL certificated



Order Information

Height U	Outer Width (W) mm	Outer Depth (D) mm	Outer Height (H) mm	Inner Width (w1) mm	Inner Depth (d1) mm	Inner Height (h1) mm	Weight kg	Part No
12	600	150	599	525	113	534	12,3	WKE-X-1261A
15	600	150	733	525	113	667	14,6	WKE-X-1561A
24	600	150	1133	525	113	1067	20,7	WKE-X-2461A

(Color code): 7:RAL 7035 Light Grey, 9:RAL 9005 Black