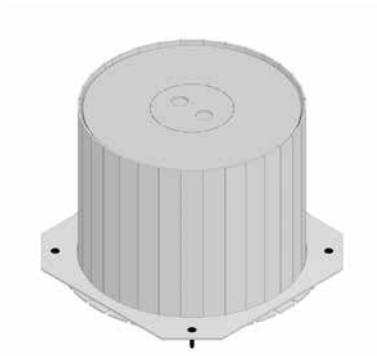


VERV

Form element round



Standard finish

Polypropylene

HD	Reference	↑ mm	↔ mm	↔ mm	↔ mm	kg/piece	📦	Stock	Unit
-	VERV3	265	330		330	0.900	12	✓	piece

Standard height: 130 mm on top of the NEO.

For additional height: extra form elements required (height 65 mm/piece): VERVS3.

Height screed: max. 298 mm

VERV3: For round cover set

- BDRKK3
- KDRKK3
- BDRITWD3
- DRITWD3
- DRIT3