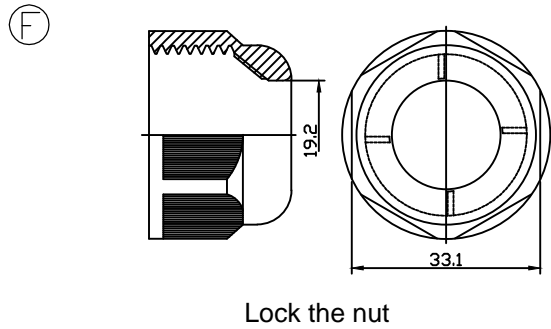
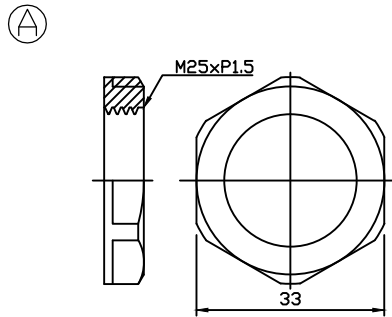


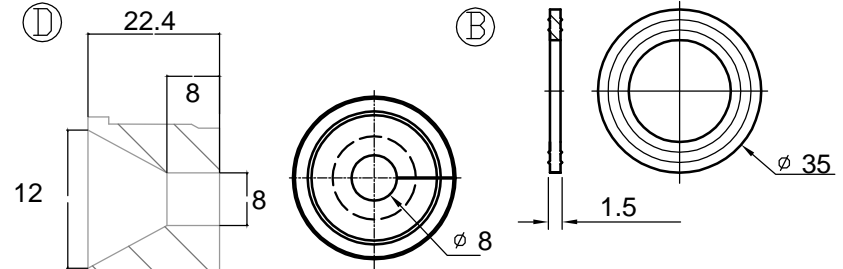
REV.	ECN NO.	DATE	SIGN	
A	Initial Release	2015/10/21	Jinhai21	Change Rev. 01 To Rev.A



Lock the nut

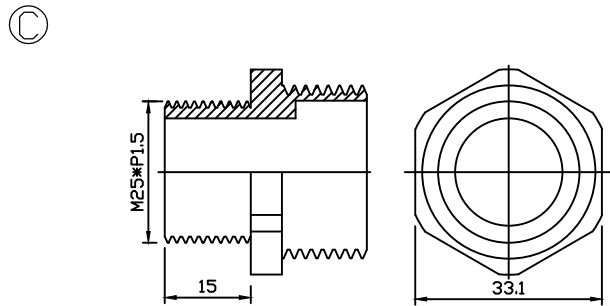


Lock nut

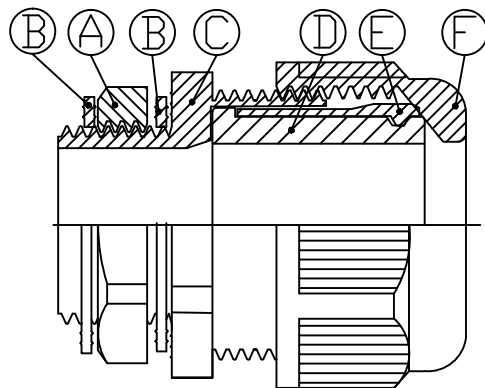
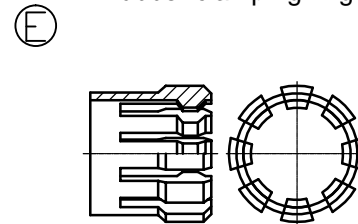


Rubber clamping ring

Gasket



Main body



Note :

- × Cable Range: $\phi 4 \sim \phi 8$
- × Waterproof Rate: IP68
- × Gasket: EPDM, Black
- × Clamp Ring: Nylon, Black
- × Seals: EPDM, Black
- × Sealing Nut: Nylon, Black

UNIT:mm TOLERANCE ± 1 MM	TITLE BN-M25L-8		MAXETA	ITEM NO 35151101	DRAWN BY	DATE		
	SCALE 1/1	SIZE A4		SHEET	OF	DWG NO	CHECKED BY	DATE
	REV. A	W/REV A1		QC Inspection Item		CUSTOMER	APPROVED BY	DATE

