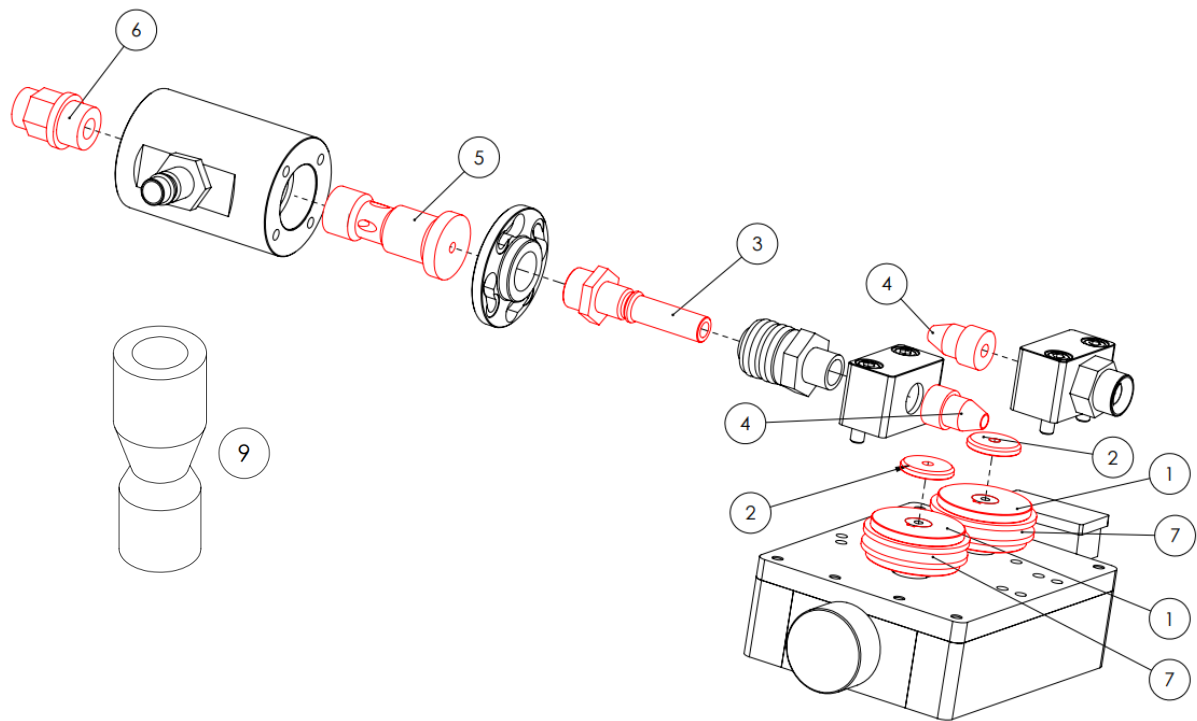


Id	Code	BUDGET PLUS
1.1	BUD-ROL	Aluminum roller for 0/2/4 mm rubber band
1.2	BUD-ROL-WYS-RAN	Aluminum roller for 6mm rubber band
2	BUD-BLO-KOL	Drive wheel lock (1 shield with 1 screw)
3	BUD-GLO-DZI-TUL-WPR-KAB	Cable entry sleeve-half BUDGET PLUS
4	BUD-SRU-MOC-MAS-M12	BUDGET- M12 mounting bolt (optional)
5.1	BUD-GLO-DZI-WST-4	Blowing head bushing-half-4 to BDJ BUDGET PLUS
5.2	BUD-GLO-DZI-WST-5	Blowing head bushing-half-5-to BDJ BUDGET PLUS
5.3	BUD-GLO-DZI-WST-8.3	Blowing head bushing-half-8.3-to BDJ BUDGET PLUS
6.1	UGD-D13X5-1	Cable seal 1 mm to BDJ BUDGET PLUS
6.2	UGD-D13X5-2	Cable seal 2 mm to BDJ BUDGET PLUS
6.3	UGD-D13X5-3	Cable seal 3 mm to BDJ BUDGET PLUS
6.4	UGD-D13X5-4	Cable seal 4 mm to BDJ BUDGET PLUS
6.5	UGD-D13X5-5	Cable seal 5 mm to BDJ BUDGET PLUS
6.6	UGD-D13X5-6	Cable seal 6 mm to BDJ BUDGET PLUS
7.1	BUD-GLO-DZI-TUL-MOC-RUR-5	Microduct handle-half -5 mm to BDJ BUDGET PLUS
7.2	BUD-GLO-DZI-TUL-MOC-RUR-7	Microduct handle-half -7 mm to BDJ BUDGET PLUS
7.3	BUD-GLO-DZI-TUL-MOC-RUR-10	Microduct handle-half -10 mm to BDJ BUDGET PLUS
8.1	UGD-D22X5-4.5	Microduct seal 4.5 mm to BDJ BUDGET PLUS
8.2	UGD-D22X5-6.5	Microduct seal 6.5 mm to BDJ BUDGET PLUS
8.3	UGD-D22X5-9.5	Microduct seal 9.5 mm to BDJ BUDGET PLUS
9.1	BUD-GUM-PLA	Rubber band-flat for drive roller
9.2	BUD-GUM-FI2-R1	Rubber band with 2 mm groove for drive roller
9.3	BUD-GUM-FI4-R2	Rubber band with 4 mm groove for drive roller
9.4	BUD-GUM-FI6-R3	Rubber band with 6 mm groove for drive roller
10	ZLA-RED-10-7	Microduct's adaptor /reduction 10/7 mm



Id	Code	BUDGET
1.1	BUD-ROL	Aluminum roller for 0/2/4 mm rubber band
1.2	BUD-ROL-WYS-RAN	Aluminum roller for 6mm rubber band
2	BUD-BLO-KOL	Drive wheel lock (1 shield with 1 screw)
3.1	BUD-SZY-TOC-4	Turned quick coupler- 4
3.2	BUD-SZY-TOC-5	Turned quick coupler- 5
3.3	BUD-SZY-TOC-8.3	Turned quick coupler- 8.3
4.1	BUD-TUL-PRO-2	Cable leading bushing-2
4.2	BUD-TUL-PRO-5	Cable leading bushing-5
4.3	BUD-TUL-PRO-8.3	Cable leading bushing-8.3
5.1	BUD-GLO-WST-4	Blowing head insert -4
5.2	BUD-GLO-WST-5	Blowing head insert -5
5.3	BUD-GLO-WST-8.3	Blowing head insert -8.3
6.1	SZY-DO-MIK-PNE-5MM-G1/4	Quickcoupling to microduct 5 mm
6.2	SZY-DO-MIK-PNE-10MM-G3/8	Quickcoupling to microduct 10 mm
6.3	SZY-DO-MIK-PNE-12MM-G3/8	Quickcoupling to microduct 12 mm
6.4	SZY-DO-MIK-PNE-14MM-G3/8	Quickcoupling to microduct 14 mm
6.5	SZY-DO-MIK-PNE-16MM-G3/8	Quickcoupling to microduct 16 mm
7.1	BUD-GUM-PLA	Rubber band-flat for drive roller
7.2	BUD-GUM-FI2-R1	Rubber band with 2 mm groove for drive roller
7.3	BUD-GUM-FI4-R2	Rubber band with 4 mm groove for drive roller
7.4	BUD-GUM-FI6-R3	Rubber band with 6 mm groove for drive roller
8.1	UGD-D22X5-4.5	Microduct seal 4.5 mm to BDJ BUDGET PLUS
8.2	UGD-D22X5-6.5	Microduct seal 6.5 mm to BDJ BUDGET PLUS
8.3	UGD-D22X5-9.5	Microduct seal 9.5 mm to BDJ BUDGET PLUS
9	ZLA-RED-10-7	Microduct's adaptor /reduction 10/7 mm